

Give a 'hog a home

HEDGEHOG STREET



CITY OF WILDLIFE

Hedgehogs make hibernation nests in winter called

'hibernacula' – these can be under hedgerows, fallen logs or in areas of scrub like bramble. They are durable, insulated and help maintain humidity to prevent dehydration for the sleeping 'hog. They also make simpler day time nests for resting, sleeping, breeding and rearing young in over summer.

Your garden can provide lots of great nesting spots for 'hogs - under your shed, in compost heaps, shrubs, under leaf piles or under logs or spare building materials. But, sometimes hedgehogs need a helping hand. You can buy pre-built hedgehog houses online or in stores, or have a go at making your own - homemade houses tend to be more popular with our prickly visitors.

It's best to clean my house in March/April when I've finished hibernating and left. But please make sure it's before the breeding season as disturbing a mother can cause her to abandon her hoglets.

Any straw or dry leaves left outside will likely be taken in and used for bedding.

The simple DIY Hedgehog House

Take a spare plastic storage box, planter or milk crate (make sure it has holes) and flip it upside down.

Make an entrance that's 13cm x 13cm and provide some bedding like dry leaves or pet straw. You can cover the rest of the box with some plastic sheeting and then cover with leaves/soil/grass cuttings.

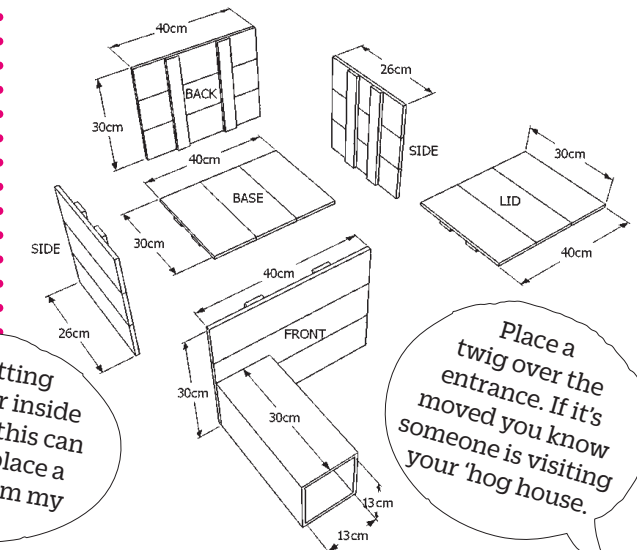
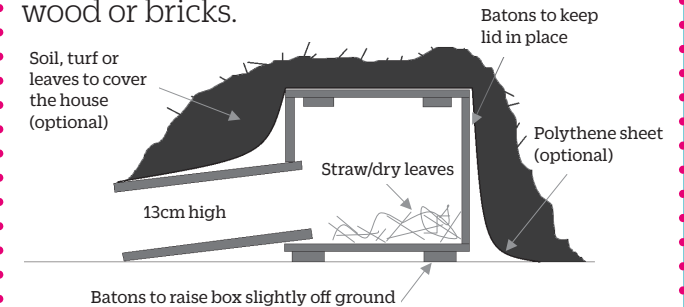


Houses are best placed in sheltered locations, along boundaries, in back gardens and within 5m of the house. The presence of pets or predators doesn't appear to put off a local hedgehog from moving in.

Avoid putting food or water inside the house, as this can disturb me, place a little away from my house.

The tricky DIY Hedgehog House

Hedgehogs seem to love home-made houses made from untreated wood (ideally durable UK softwood species like larch, Douglas fir and red cedar). Don't nail the roof down (so that you can clean inside) and avoid using paint. Tunnels help stop predators or cats getting into the house and can be made of wood or bricks.



Place a twig over the entrance. If it's moved you know someone is visiting your 'hog house.